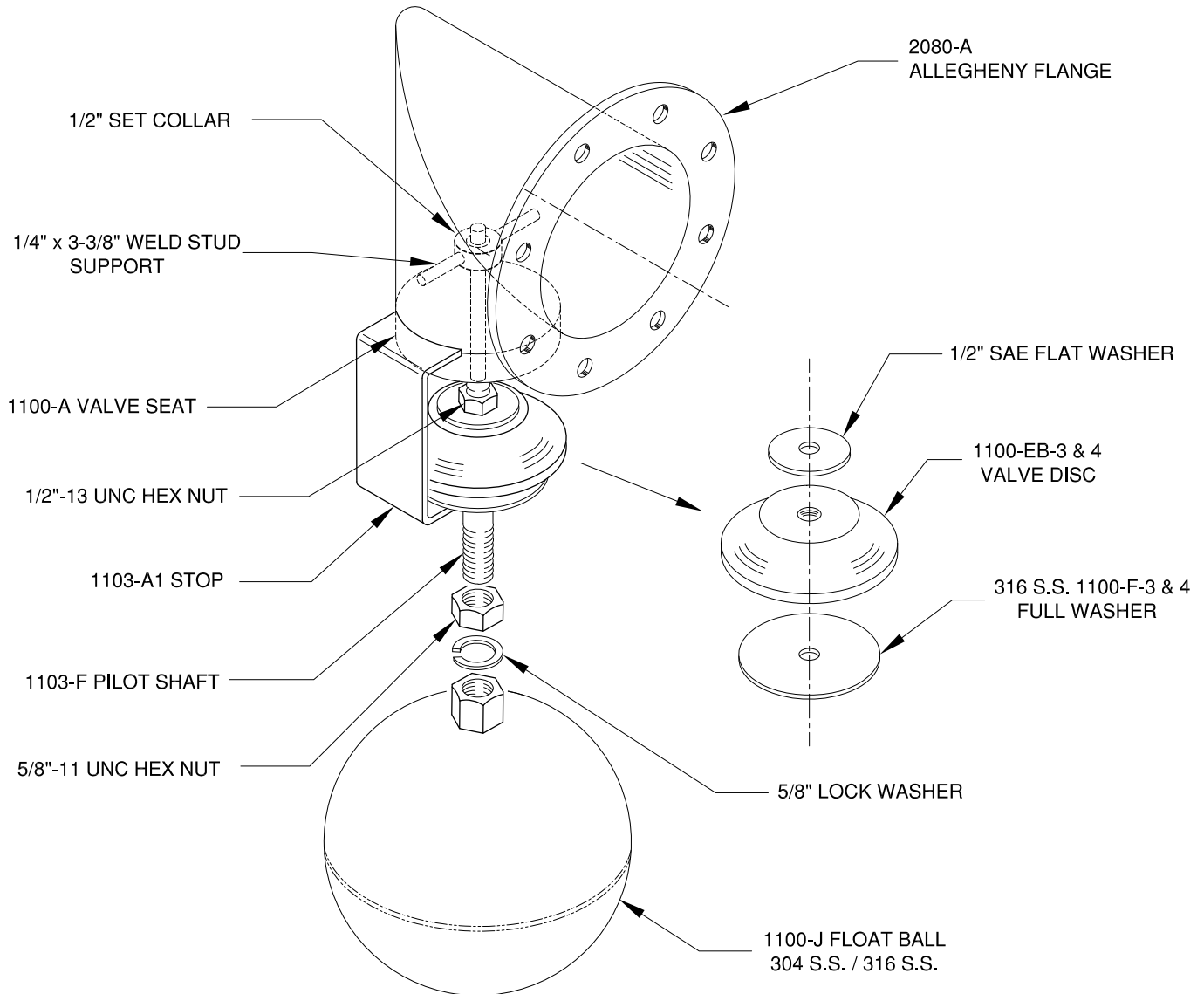


THOMPSON VACUUM PRESSURE UNITS

TTI-1103 SECONDARY LEP FLOAT SHUT-OFF VALVE

AVAILABLE IN STAINLESS STEEL
TYPICAL 3" & 4" PIPE SIZE



NOTE: NOT DESIGNED TO BE PRIMARY FLOAT SHUT-OFF VALVE
SEE TTI-1000
SHIPPING WEIGHT-LESS BALL
TTI-1103-3 (APPROX.) 7 LBS.
TTI-1103-4 (APPROX.) 9 LBS.

THOMPSON TANK, INC.

P.O. BOX 790 • LAKEWOOD, CA 90714-0790 • TEL: (800) 421-7545 • FAX: (562) 869-7214

www.thompson-tank.com



Thompson Units are manufactured under U.S. Patent No. 3315611, 3347263, 3398513 and 3971400 Patented Canada 1969

©Reg. U.S. Pat. & TM Off.